



# Magswitch MagMount Operation and Instruction Manual

Covers PN# 8100451

Magswitch Technology Inc.  
8774 Yates Drive #140  
Westminster, CO 80031  
www.Magswitch.com.au

This Magswitch MagMount is designed as a quick connect-disconnect clamp with top mount capability. It is ideal for mounting fixtures and attachments to a ferrous surface with strong hold. The actuation lever has a locking mechanism to avoid accidental release. Top threaded holes allow this to be a versatile magnetic mount. Using Patented Technology, this device has tremendous holding power as well as a great amount of Shear Force Holding Strength to prevent sideways movement.



**Read all instructions! Failure to follow all instructions listed below may result in an unsafe or dangerous condition.**

## General Information

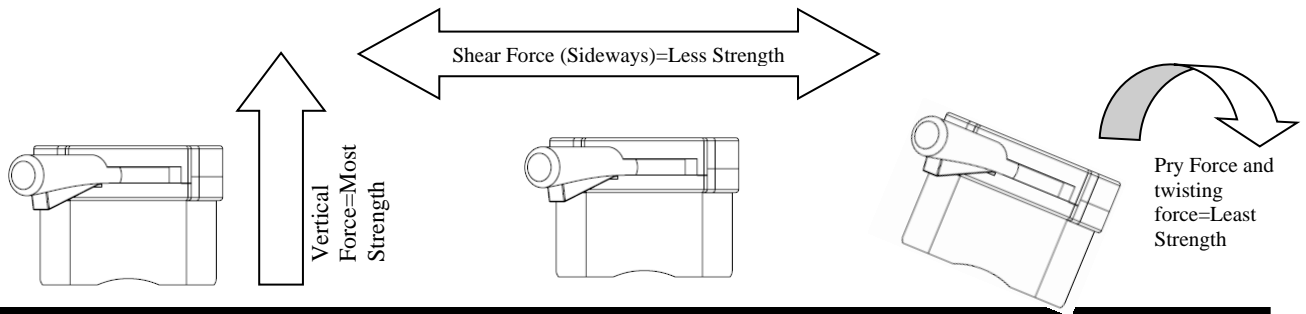
- All Magnets need to be *kept at a safe distance* from all magnetic storage devices, electronics, credit cards etc...
- Ensure that the Magswitch MagMount is *stored in the "off" position* when not in contact with Ferromagnetic metals. The MagMount can be left ON or OFF indefinitely without harm. When ON and near Ferromagnetic metals there will be a sudden and powerful attraction.
- *Never use a MagMount to lift or transport any materials*, although it is ideal for debris cleanup, nuts and bolts, metal shavings, etc...
- *DO NOT attempt to disassemble or alter* the Magswitch MagMount; there are no user serviceable parts inside the device.
- All Magswitch products are *designed for normal work/jobsite conditions*, do not use underwater or in a hazardous environment
- *DO NOT use the MagMount if it is damaged or is not working properly*. Severe injury can occur if this device is not used properly and safely.
- *DO NOT expose the MagMount magnets to temperatures above 176 deg Fahrenheit (80 Celsius)*. High temperatures will permanently degrade the Magnet's effectiveness and may result in an unsafe condition.
- For painted or finish coated surfaces will *reduce the holding force* and the *finish may be damaged*.
- *This product contains PTFE lubricant*. For MSDS information contact Magswitch.
- *Always keep the bottom of the magnet clean and free of debris and rust*. If needed wipe with WD40 or light oil

## To use the MagMount

- *Never exceed the rated capacity* of the MagMount. Always consider the orientation of load and center of gravity to avoid unnecessary moment forces.
- Always *test the connection* before attempting to use the MagMount to ensure that it is capable of holding the material securely.
- *Numerous factors can negatively affect the strength* of the magnetic bond. Dirt, debris, oils and grease, painted surfaces and any gap between the magnet and the metal surface will decrease the holding force. *Ensure that the connection point is clean* and free of these factors.
- *Thicker metals will be held more strongly than thinner metals*. E.g.: 1/4" (6mm) steel will be held more strongly than thin gauge metals.
- *Avoid sudden jerking or Shock force* as this can cause the MagMount to lose its hold or to move.
- *This MagMount is not designed to be used as a welding ground clamp* or as part of an electrical circuit.
- For safe operation, the *bottom surface of the Magnet must always be Flat and Smooth*. If necessary, it is possible to sand the Magnet face smooth using 400 grit sandpaper and a flat surface. *Always file any burrs* that would interfere with full contact.

## MagMount Operation

- *The lever on this device must be turned clockwise 90 degrees until reaching the lock* in order to be turned "ON". It is not possible to hold the MagMount in place unless fully turned on.
- ***DO NOT turn on unless in contact with Ferromagnetic Metal!***
- *To release the MagMount, depress the safety release latch on the underside of the lever and turn the lever counter clockwise until it stops*. The MagMount will *turn off and release immediately* upon turning the lever. Use Caution to ensure that it is safe to release the MagMount and that nothing will fall or become dangerous.
- This Magswitch MagMount is capable of *exceptional Break-Away force* holding power; Magswitch MagMounts are exceptionally strong in *Shear Force* as well. *Prying force is the least powerful* of the holding capabilities and great care must be used when attempting to use this device with Pry force. *See Illustration on next page*.

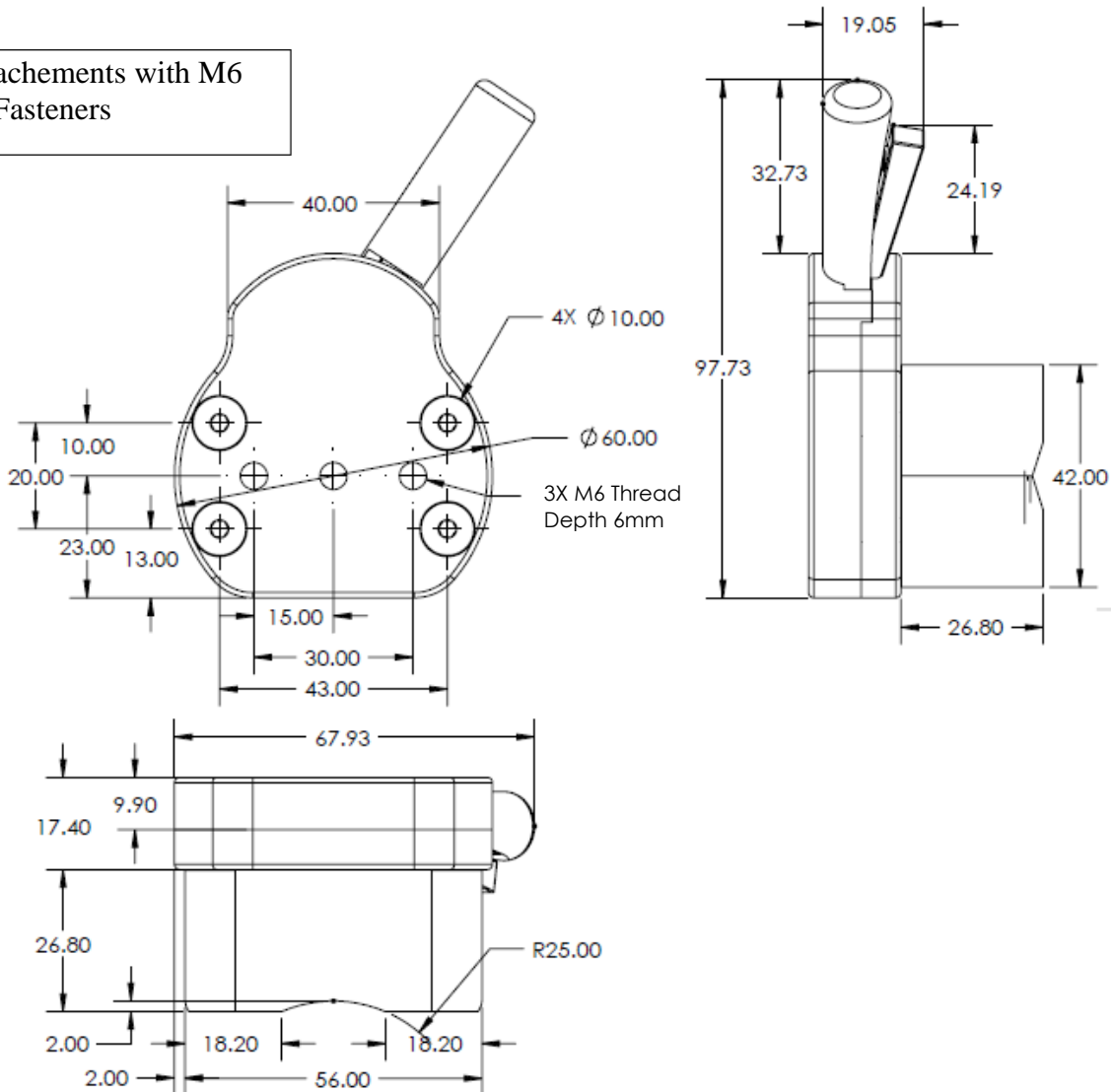


**Mounting Surface: works best on 1/4" or thicker, clean, ferrous material**

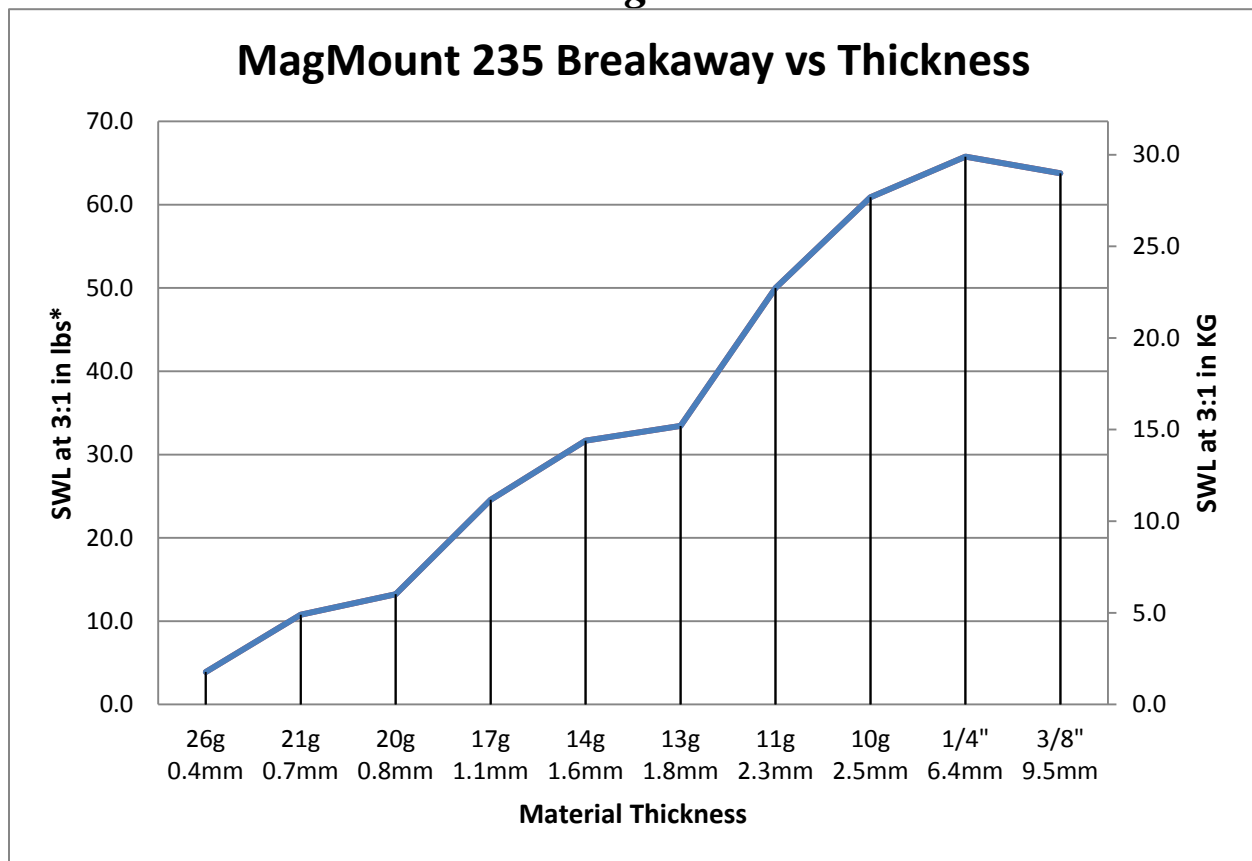
**Mounting Surface Considerations**

- *When attaching accessories to the MagMount* consider the weight, size and material and *test for hold* in vertical, sheer and pry force applications. Holding force reductions can be approximated by 20% of the vertical holding force in shear and 50% on pipe. Be aware that mounting taller components increases the change for a large moment force to be applied and resistance to this type of force is weak. Be sure to test all applications to ensure a strong hold on the component prior to leaving the load unattended.
- *Maximum hold force* is attained when mounted to 3/8" or greater thickness of ferrous material.
- A *clean, coating-free target surface provides greatest hold*. Painted, coated, rusted or dirty surfaces will create an air gap and reduce magnetic hold.
- Can be used on flat or round Target surfaces.

**Mount Attachements with M6 Fasteners**



## Holding Force



\* Max Breakaway determined in laboratory environment on 2" thick SAE1018 Steel with surface roughness 63 micro inches. Many factors contribute to the actual breakaway force in each application. Always test the magswitch in each application before deployment. Refer to the magswitch information booklet for more information.

## MagMount usage is limited only by your imagination!

- ✓ Use to mount fixtures such as a;
  - Lighting
  - Cameras
  - Sensors
  - Mirrors
  - Alarms
  - LASER devices
  - Motion Rails/Track
- ✓ Job site security
- ✓ Testing and measuring applications
- ✓ Use on vehicles and moving machinery
- ✓ Factory environments
- ✓ Fabrication shops
- ✓ If you have a great idea for a MagMount use, please contact us at [www.magswitch.com.au](http://www.magswitch.com.au)

### Magswitch Limited Warranty

Magswitch products are covered by a One Year Limited Warranty on Material and Workmanship. Warranty is Non-Transferable.

Magswitch reserves the right to inspect all product claims under warranty. Any alteration of the device voids this warranty.

User assumes all risk for the proper use of this device and for ensuring product suitability for intended application.

This warranty shall not cover any incidental or consequential damages due to the improper use or failure of this device.

Magswitch Products Are Protected By The Following Patents. Australia:753496, Canada: 2,392,772, China:254155, Europe: 1243006, Hong Kong: HK1045758, India: 219575, Japan: 4964382, Korea (South): 10-0728448, Mexico: 236,352, New Zealand:518865, Singapore:88931;103413, South Africa: 2002/3752, UK: 1243006, USA: 6,707,360; Add'l Patents And Patent Applications Pending.