



Magswitch Technology, Inc.
 8774 Yates Dr. Suite 140
 Westminster, CO 80031
 Magswitch.com.au
 303-468-0662

Magswitch MagJig 60 Keychain

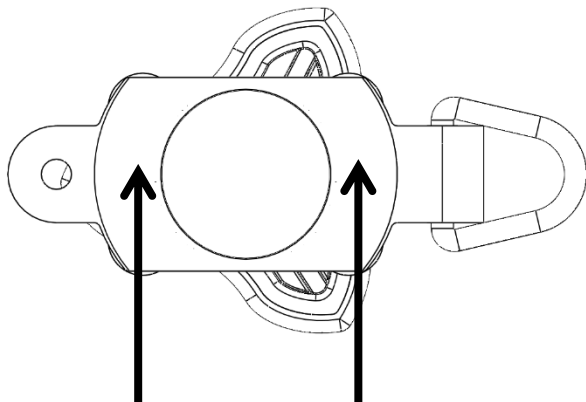
P/N: 8100514

Magswitch MagJigs are ideal for downward pressure clamping. All MagJigs come with a 3/4" standoff for flush mount. Simply drill a hole in the fixturing material and place the clamp in. The MagJigs come with screw holes so you can secure the jig in the fixture. We recommend at least two MagJigs per fixture to minimize slippage. Create fences, assembly jigs, cutting fixtures, blade guards, work supports or anything that makes your work faster, safer and easier.

WARNING!
Do Not Operate Unless In
Contact With Ferrous Target



SPECIFICATIONS	
P/N: 8100514 - MAGSWITCH MagJig 60 Keychain	
Max Breakaway*	60 lbs/27 kg
2:1 Shear Working Load*	17 lbs/7 kg
Net Weight	0.2 lbs/0.1 kg
Overall Height	44.6 mm
Magnetic Pole Footprint	56mm x 16mm



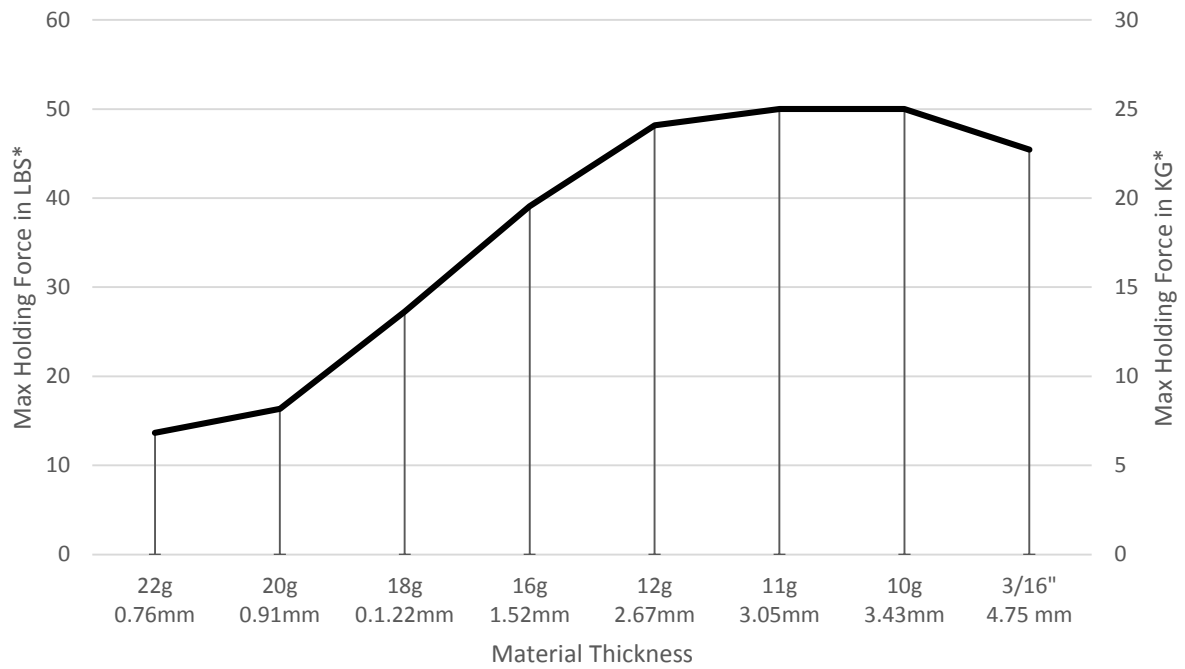
WORKING SURFACE



Part Number 110692
 Revision Date: June 26, 2012

* Max Breakaway determined in laboratory environment on 2" thick SAE1018 Steel with surface roughness 63 micro inches. Many factors contribute to the actual breakaway force in each application. Always test the magswitch in each application before deployment. Refer to the magswitch information booklet for more information.

Magswitch MagJig 60 Breakaway Data vs. Thickness



Part Number 110692
Revision Date: June 26, 2012



Part Number 110692
 Revision Date: June 26, 2012

