



Magswitch MagJig 235

Operation and Instruction Manual

Magswitch Technology Inc.
8774 Yates Drive #140
Westminster, CO 80031
www.Magswitch.com.au

This Magswitch MagJig is designed to hold a Magswitch Accessory, or one of your own designs to any Ferromagnetic Surface. Using Patented Technology, this device has tremendous holding power as well as a great amount of Shear Force Holding Strength to prevent sideways movement.

Read all instructions! Failure to follow all instructions listed below may result in an unsafe or dangerous condition.

General Information

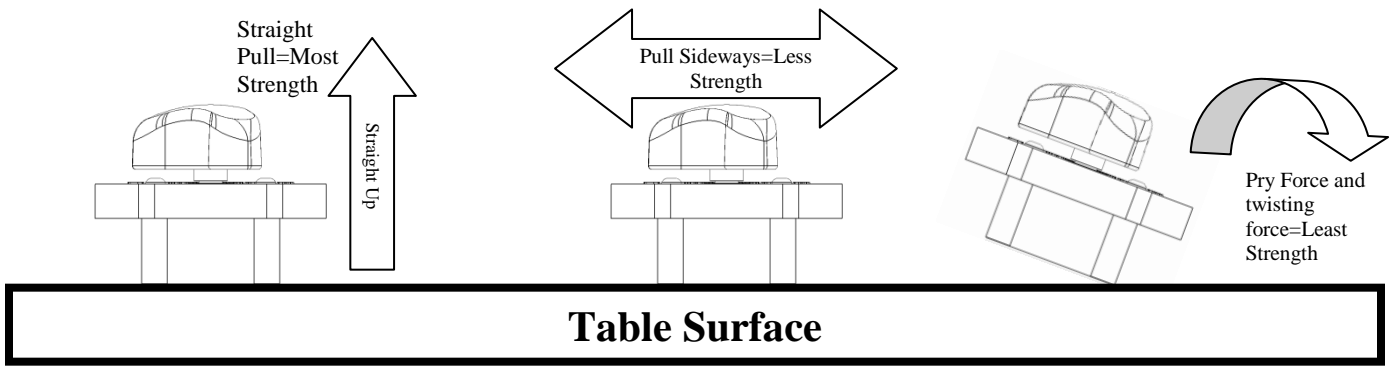
- All Magnets need to be *kept at a safe distance* from all magnetic storage devices, electronics and credit cards etc...
- Ensure that the Magswitch MagJig is *stored in the "off" position* when not in contact with Ferromagnetic metals. The MagJig can be left ON or OFF indefinitely without harm. When ON and near Ferromagnetic metals there will be a sudden and powerful attraction.
- *Never use a MagJig to lift or transport any materials*, although it is ideal for debris cleanup, nuts and bolts, metal shavings, etc...
- *DO NOT attempt to disassemble or alter* the Magswitch MagJig; there are no user serviceable parts inside the device.
- All Magswitch products are *designed for normal work/jobsite conditions*, do not use underwater or in a hazardous environment
- *DO NOT use the MagJig if it is damaged or is not working properly*. Severe injury can occur if this device is not used properly and safely.
- *DO NOT expose the MagJig magnets to temperatures above 176 deg Fahrenheit (80 Celsius)*. High temperatures will permanently degrade the Magnet's effectiveness and may result in an unsafe condition.
- *Not recommended for painted or finish coated surfaces* as these will reduce the magnetic bond and the finish may be damaged.
- *This product contains PTFE lubricant*. For MSDS information contact Magswitch.
- *MagJigs are designed to be installed into 3/4" thick non-Ferromagnetic materials*. If installing into thinner materials it is possible to stack or shim the material to achieve 3/4" thickness. *The magnet base will protrude very slightly*, this is critical to ensure metal to metal contact!
- *MagJig 235's require a 56mm (2.2") hole for installation*.
- *Always keep the bottom of the magnet clean and free of debris and rust*. If needed wipe with WD40 or light oil

To use the MagJig

- *Never exceed the rated capacity* of the MagJig. MagJig 235's are rated up to 45 pounds of shear force each under ideal conditions.
- Always *test the connection* before attempting to use the MagJig to ensure that it is capable of holding the material securely.
- *Numerous factors can negatively affect the strength* of the magnetic bond. Dirt, debris, oils and grease, painted surfaces and any gap between the magnet and the metal surface will decrease the bond. *Ensure that the connection point is clean* and free of these factors.
- *Thicker metals will be held more strongly than thinner metals*. E.g.: 1/4" (6mm) steel will be held more strongly than thin gauge metals.
- *Magswitch recommends that only non-Ferromagnetic materials* be used as a holder for your Jig or Fixture. *Wood, Plastics and Aluminum* are all non-Ferromagnetic materials that make for excellent attachments.
- *Avoid sudden jerking or Shock force* as this will cause the MagJig to lose its hold or to move.
- *This MagJig is not designed to be used as a welding ground clamp* or as part of an electrical circuit.
- For safe operation, the *bottom surface of the Magnet must always be Flat and Smooth*. If necessary, it is possible to sand the Magnet face smooth using 400 grit sandpaper and a flat surface. *Always file any burrs* that would interfere with full contact.

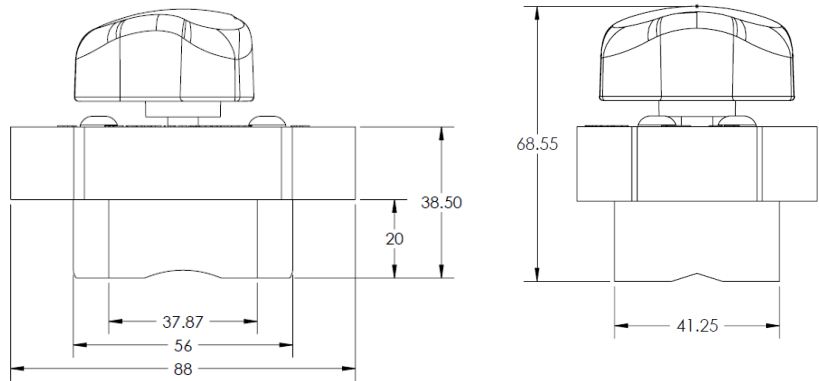
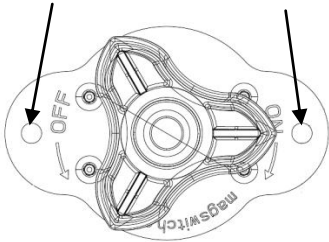
MagJig Operation

- *The knob on this device must be turned clockwise 185 degrees until stops* in order to be turned "ON". It is not possible to hold the MagJig in place unless fully turned on.
- ***DO NOT turn on unless in contact with Ferromagnetic Metal!***
- *To release the MagJig, push down and turn the knob counter clockwise until it stops*. The MagJig will *turn off and release Immediately* upon turning the knob, Use Caution to ensure that it is safe to release the MagJig and that nothing will fall or become dangerous.
- *Always turn off power tools before turning the MagSquare ON or OFF to avoid injury*.
- This Magswitch MagJig is capable of *exceptional Break-Away force* holding power; Magswitch MagJigs are exceptionally strong in *Shear Force* as well. *Prying force is the least powerful* of the holding capabilities and great care must be used when attempting to use this device with Pry force. *See Illustration below*.



To avoid unwanted rotation, use in pairs at ends of material.

If securing the MagJigs use these holes with up to M6 (1/4") screws



MagJig usage is limited only by your imagination!

- ✓ Holding a cove molding jig in place
- ✓ Create your own Featherboard
- ✓ Hold a repetitive stop in place
- ✓ Hold down thin stock
- ✓ Build a shop sweeper
- ✓ Create a fence for your power tools
- ✓ Hold a bench top tool in place on your table saw
- ✓ If you have a great idea for a MagJig use, please contact us at www.magswitch.com.au

Magswitch Limited Warranty

Magswitch products are covered by a One Year Limited Warranty on Material and Workmanship. Warranty is Non-Transferable.

Magswitch reserves the right to inspect all product claims under warranty. Any alteration of the device voids this warranty.

User assumes all risk for the proper use of this device and for ensuring product suitability for intended application.

This warranty shall not cover any incidental or consequential damages due to the improper use or failure of this device.

Magswitch Products Are Protected By The Following Patents. Australia:753496, China:254155, New Zealand:518865, Singapore:88931;103413, South Africa: 2002/3752; 2004/1785, USA: 6,707,360; 7,012,495.

Add'l Patents And Patent Applications Pending