



Magswitch Technology, Inc.
 8774 Yates Dr. Suite 140
 Westminster, CO 80031
 Magswitch.com.au
 303-468-0662

Magswitch MagJig 235

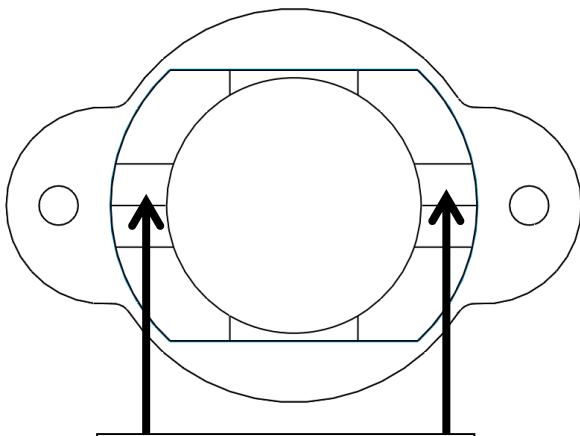
P/N: 8100377

Magswitch MagJigs are ideal for downward pressure clamping. All MagJigs come with a 3/4" standoff for flush mount. Simply drill a hole in the fixturing material and place the clamp in. The MagJigs come with screw holes so you can secure the jig in the fixture. We recommend at least two MagJigs per fixture to minimize slippage. Create fences, assembly jigs, cutting fixtures, blade guards, work supports or anything that makes your work faster, safer and easier.

WARNING!
Do Not Operate Unless In Contact With Ferrous Target



SPECIFICATIONS	
P/N: 810377 - MAGSWITCH MagJig 235	
Max Breakaway*	235 lbs/106 kg
Full Saturation Thickness	0.25" / 6 mm
2:1 Shear Working Load*	45 lbs/20 kg
Net Weight	1.0 lbs/0.45 kg
Overall Height	78 mm
Magnetic Pole Footprint	56mm x 41.25mm



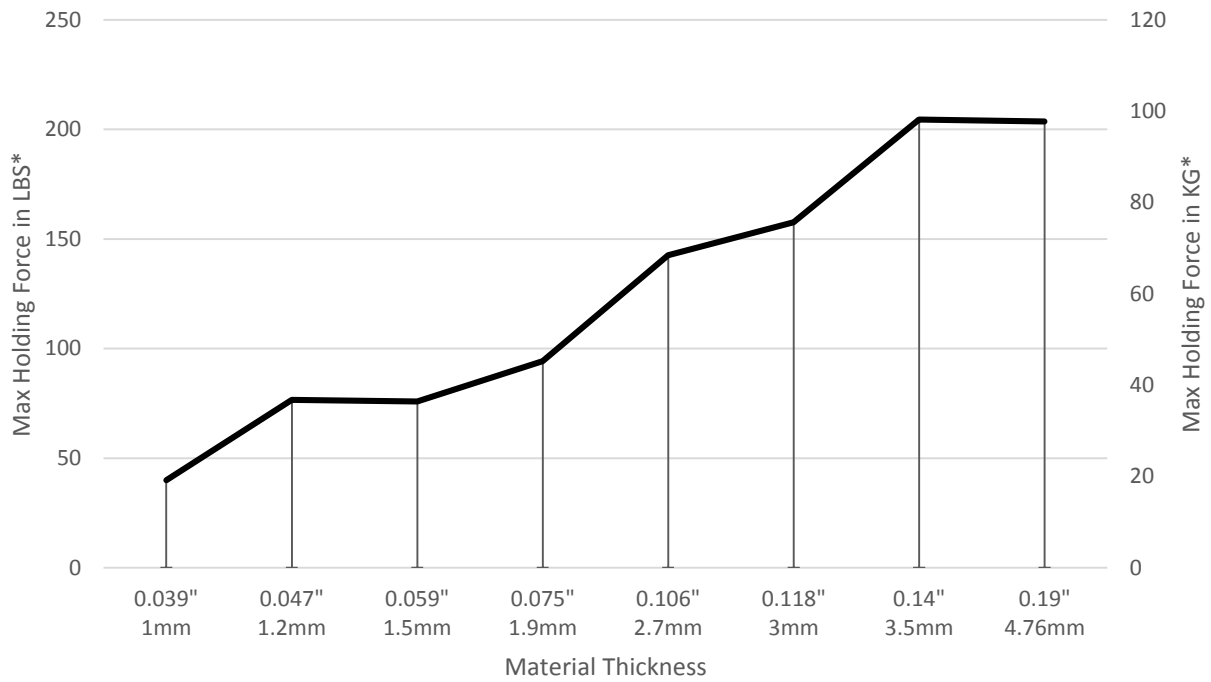
WORKING SURFACE



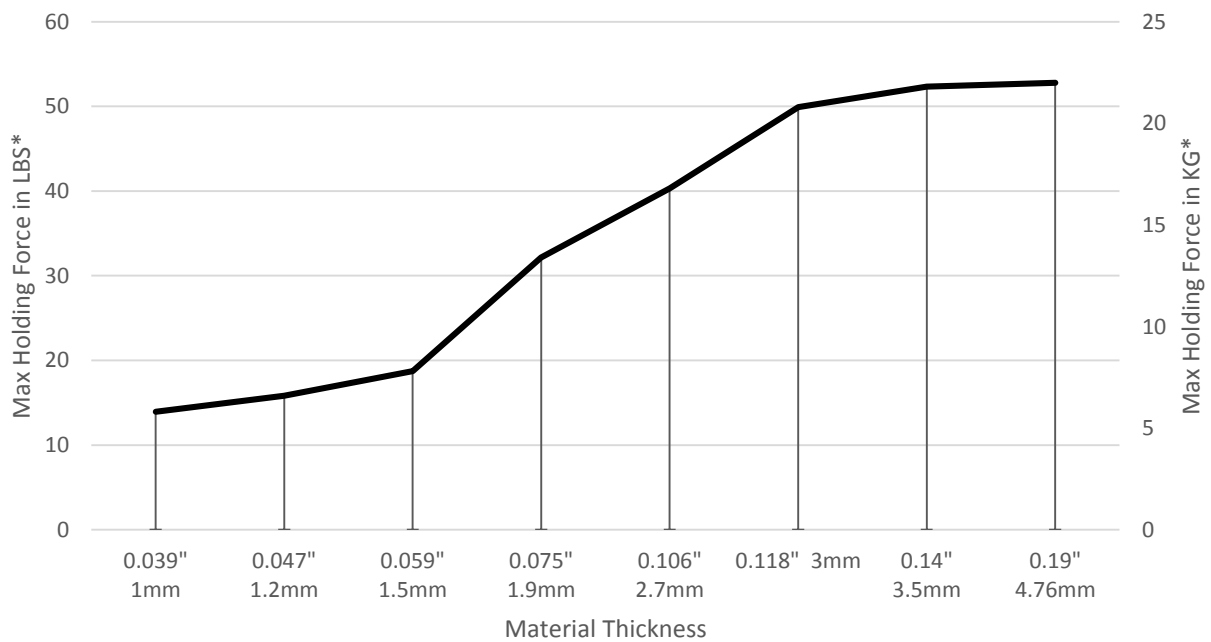
Part Number 110692
 Revision Date: June 26, 2012

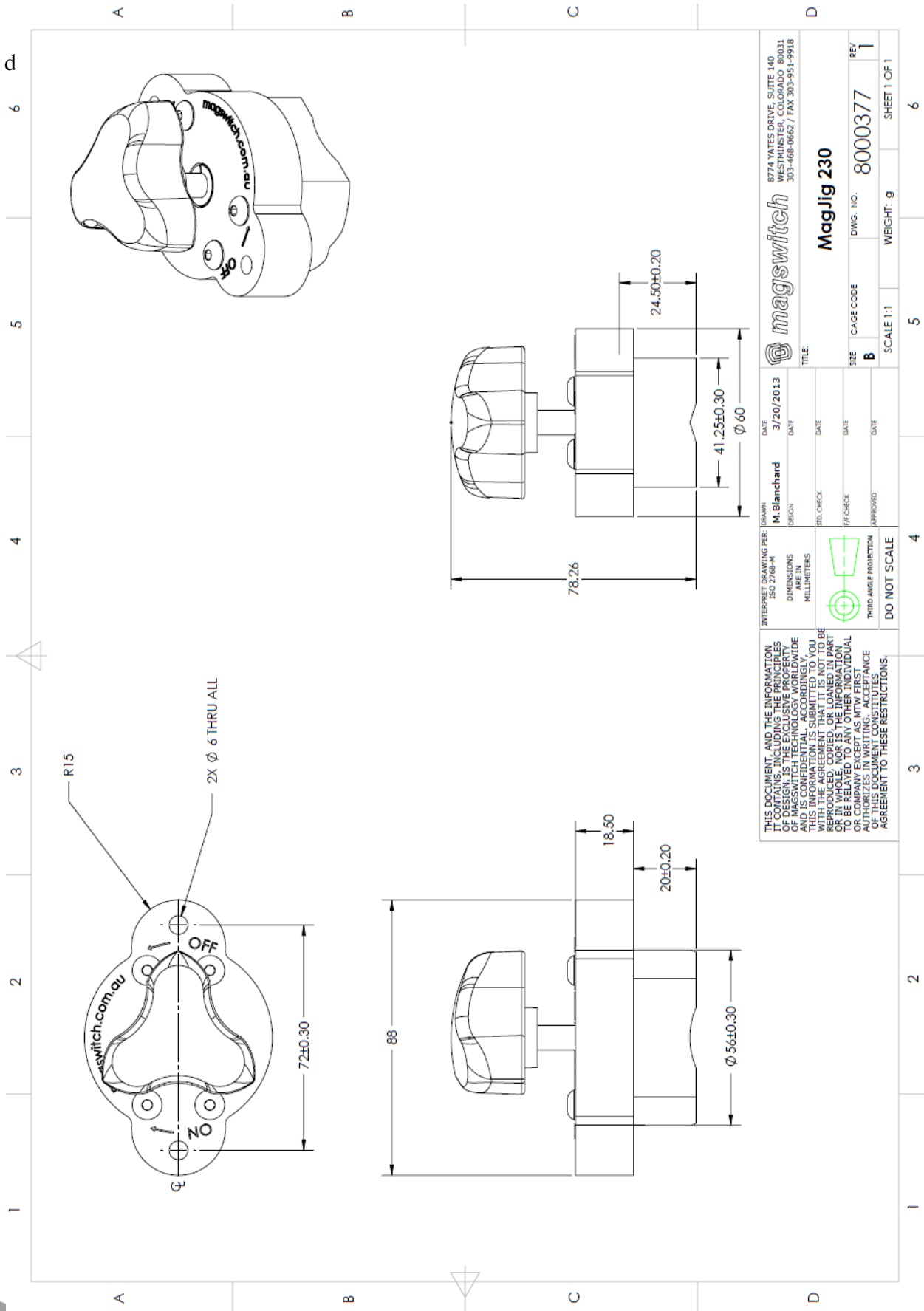
* Max Breakaway determined in laboratory environment on 2" thick SAE1018 Steel with surface roughness 63 micro inches. Many factors contribute to the actual breakaway force in each application. Always test the magswitch in each application before deployment. Refer to the magswitch information booklet for more information.

Magswitch MagJig 235 Breakaway Data vs. Thickness



Magswitch MagJig 235 Shear Data vs. Thickness





magswitch 8774 YATES DRIVE SUITE 140 WESTMINSTER, COLORADO 80031 303-468-0662 / FAX 303-951-9918		MagJig 230	
INTERPRET DRAWING PER: DRAWN M. Blanchard 3/20/2013 DATE	DESIGN DATE	TITLE MagJig 230	DWG. NO. 8000377
DIMENSIONS ARE IN MILLIMETERS	3RD CHECK DATE	SIZE B	CAGE CODE 8000377
THIS DOCUMENT, AND THE INFORMATION IT CONTAINS, INCLUDING THE PRINCIPLES OF MAGSWITCH TECHNOLOGY, ARE CONFIDENTIAL, ACCORDINGLY, THIS INFORMATION IS SUBMITTED TO YOU ON A NON-REPROducible BASIS. IT IS NOT TO BE REPRODUCED, COPIED, OR LOANED IN PART OR IN WHOLE, NOR IS THE INFORMATION TO BE RELATED TO ANY OTHER INDIVIDUAL OR COMPANY IN ANY MANNER WITHOUT THE WRITTEN PERMISSION OF MAGSWITCH. ANY USE OR DISSEMINATION OF THIS DOCUMENT CONSTITUTES AN AGREEMENT TO THESE RESTRICTIONS.	4TH CHECK DATE	SCALE 1:1	WEIGHT: g
THIRD ANGLE PROJECTION DO NOT SCALE	APPROVED DATE	SHEET 1 OF 1	6



Part Number 110692
 Revision Date: June 26, 2012