



Hand Lifter 60-CE Operation and Instruction Manual

Magswitch Technology Inc.
8774 Yates Drive #140
Westminster, CO 80031
www.Magswitch.com.au

This Magswitch Hand Lifter 60-CE Is Designed To Lift Steel Plate, Pipe, Bar And Rod Stock, Flat Stock Or Angle Iron.
For Safety, This Device Is Rated For Loads **UP TO 60 Lbs (27 kg)**
Using Patented Technology, This Device Has Tremendous Holding Power As Well As A Great Amount Of
Shear Force Holding Strength To Prevent Sideways Movement.

Read All Instructions! Failure To Follow All Instructions Listed Below May Result In An Unsafe Or Dangerous Condition.

General Information

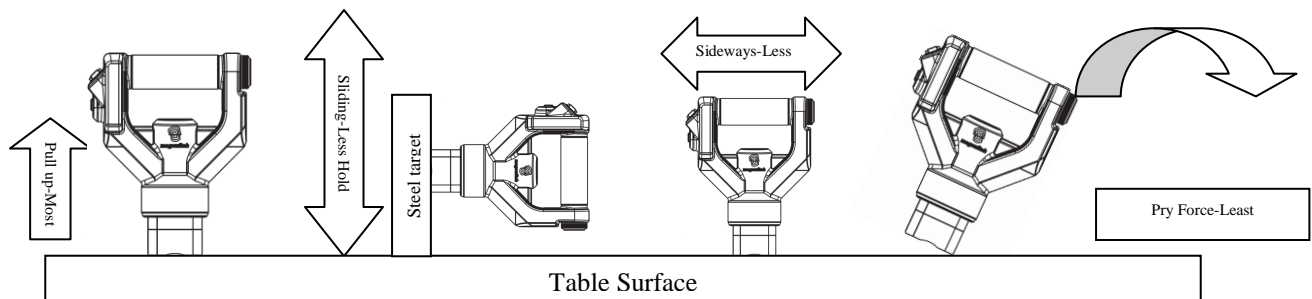
- All Magnets need to be *kept at a safe distance* from all Magnetic storage devices, electronics and credit cards etc...
- Ensure that the Magswitch Magnet is *stored in the "off" position* when not in contact with Ferromagnetic metals.
- *Never use a Magswitch Hand Lifter for OVERHEAD LIFTING!*
- *DO NOT attempt to disassemble* the Magswitch Magnets; there are no user serviceable parts inside the device.
- All Magswitch products are *designed for normal work/jobsite conditions*, do not use underwater or in a hazardous environment
- *DO NOT use the Magswitch Hand Lifter if it is damaged or is not working properly.* Severe injury can occur if this device is not used properly and safely.
- *DO NOT expose the Magswitch Magnets to temperatures above 180 deg. Fahrenheit (80 Celsius).* High temperatures will permanently degrade the Magnet's effectiveness and may result in an unsafe condition.
- *Not recommended for painted or finish coated surfaces* as these will reduce the magnetic bond and the finish may be damaged.
- *This product contains PTFE lubricant.* For MSDS information contact Magswitch.

To Use The Hand Lifter 60-CE

- Always *test the connection* before attempting to use the Magswitch Hand Lifter to ensure that it is capable of holding the material securely.
- *Numerous factors can negatively affect the strength* of the magnetic bond. Dirt, debris, oils and grease, painted surfaces and any gap between the Magnets and the metal surface will decrease the bond. *Ensure that the metal is clean* and free of these factors.
- *Thicker metals will be held more strongly than thinner metals.* E.g.: 1/4" (6mm) steel will be held more strongly than thin gauge metals.
- *Never exceed the rated capacity* of the device or attempt to alter the device in any way. Each Magnet has up to 60 lbs (27 kg) of Safe Working Load (SWL) under ideal conditions. Tested in accordance with Magnet Distributors and Fabricators Association testing methods and represents a straight Break-Away pull. Actual in-use results will vary greatly and *user must test every bond to determine the suitability of the magnet* to hold the material.
- *Avoid sudden jerking or Shock force* as this will cause the Magnets to lose its hold.
- *This Hand Lifter 60 is not designed to be used as a welding ground clamp* or as part of an electrical circuit.
- For safe operation, the *bottom surface of the Magnet must always be Flat and Smooth.* If necessary, it is possible to sand the Magnet face smooth using 400 grit sandpaper and a flat surface. *Always file any burrs* that would interfere with full contact.

Hand Lifter 60-CE Operation

- *4 Volt Li Ion Battery installs and is removed by unscrewing battery cap located on end of the handle grip.*
- *DO NOT turn on unless in contact with metal!*
- *Bring the Hand Lifter into contact with steel,* push the Green "ON" button to activate and begin the lift/carry process as described.
- *To release the Magnet push the RED "OFF" button until you hear a solenoid actuate and the magnet turn off.* The Magnet will *turn off and release* *Immediately* upon turning the handle, Use Caution to ensure that it is safe to release the Magnet and that nothing will fall or become dangerous.
- This Magswitch Hand Lifter 60 is capable of *exceptional Break-Away force* holding power; Magswitch Magnets are exceptionally strong in *Shear Force* as well. *Prying force is the least powerful* of the holding capabilities and great care must be used when attempting to use this device with Pry force. *See Illustrations below.*



Magswitch Limited Warranty

Magswitch products are covered by a One Year Limited Warranty on Material and Workmanship. Warranty is Non-Transferable. Magswitch reserves the right to inspect all product claims under warranty. Any alteration of the device voids this warranty.

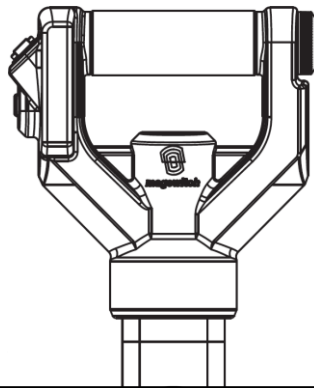
User assumes all risk for the proper use of this device and for ensuring product suitability for intended application.

This warranty shall not cover any incidental or consequential damages due to the improper use or failure of this device.

All Magswitch products are covered under International and U.S. Patents 6,707,360 & 7,012,495. Add'l patents pending.

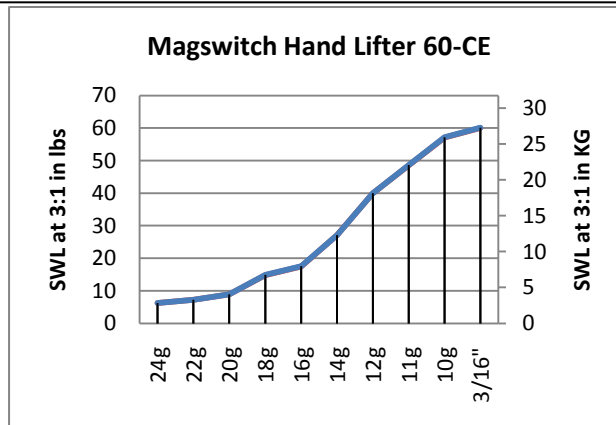
Hand Lifter 60-CE Usage Manual

- This Hand Lifter 60-CE is designed to lift ferrous steel pieces in the horizontal plane **UP TO 60 LBS** (27 kg) of Safe Working Load (SWL). It is perfectly suited to holding and carrying any Ferromagnetic substance such as steel plate, angle iron, pipe, and rod and bar stock.
- Maximum holding power will be achieved when the steel piece is flat, clean and bare mild steel similar to AISI 1020 of 3/16" (4.5 mm) or greater. Other materials, shapes and thinner materials will not achieve the same holding force and will have to be DeRated for safe lifting/handling.
- Other DeRating Factors include; any type of airgap, uneven surface, rough surface, debris, spatter, paint, rust, limited contact area, flexible metal, grease and other factors. Care must be taken to test the connection and to verify that it is adequate for the item being held or lifted.
- Test lifts are recommended; 1. Attach the magnet and turn it on 2. Lift the material an inch or two off the surface 3. Gently shake the material in the position that it will be carried to determine that the material will not fall off of the magnet.
- If the test lift is successful, carry or lift the material, being sure that no body part will be under the material, and that no object will come into contact with the magnet during the lift/carry.
- Avoid all shock forces that could cause the magnet to lose its grip.
- Never turn the magnets "ON" when not in contact with metal. Sudden impact to the metal can occur causing personal injury or damage to the surfaces.
- When finished, push the RED "OFF" button until you hear a solenoid actuate and the magnet turn off, taking care that nothing will fall or become a hazard as the magnets will release their hold immediately.
- When used for material holding for metals that are to be welded, be careful not to overheat the magnets. Temperatures above 180° F (80°C) internal will permanently degrade the magnetic power and holding strength. Magswitch recommends a tack weld only to keep the heat transfer to a minimum. **Magswitch recommends a minimum of 3 inches from the magnet to the weld point**, and that the magnet is removed immediately after the tack weld to reduce heat transfer.
- The Hand Lifter 60-CE is ideal for use in picking parts and pieces off of Cutting or Burn Tables. This may result in the magnet contacting very hot pieces of metal. Great care must be taken to ensure that the magnet does not go beyond its safe working temperature of 180° F (80°C). Limited contact time may be necessary to prevent this from occurring. The magnet may also be left on a steel plate that is not hot in between uses to act as a Heat Sink and to draw the heat from the magnet to keep it cool.



Correct Pipe/Tube direction

Safe Working Load (SWL) Chart Showing Holding Force Versus Thickness Of Material Being Held/Carried. Based on Flat, non-flexing 1020 grade steel.



Understanding Your Magswitch Hand Lifter 60-CE

Screw cap for installation and removal of the 4 Volt Li Ion Battery

Green ON Button

Red OFF Button

Lighted Green Power Button Flashes When Battery Level Is Low

Groove for Pipe/Tube

