



Magswitch Technology, Inc.
 1355 Horizon Ave
 Lafayette, CO 80026
 Magswitch.com.au
 303-468-0662

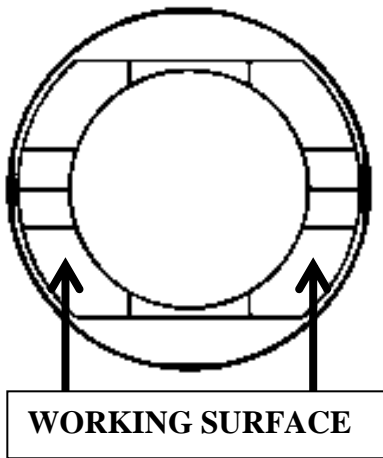
Magswitch Hand Lifter - 60 CE

P/N: 8100385

Magswitch “M” series actuated units are designed around an optimized housing that allows for greater breakaway force in a compact design that outperforms other magnets of a similar size. The “M” series is the perfect tool for gripping flat sections of steel.



WARNING!
Do Not Operate Unless In
Contact With Ferrous Target

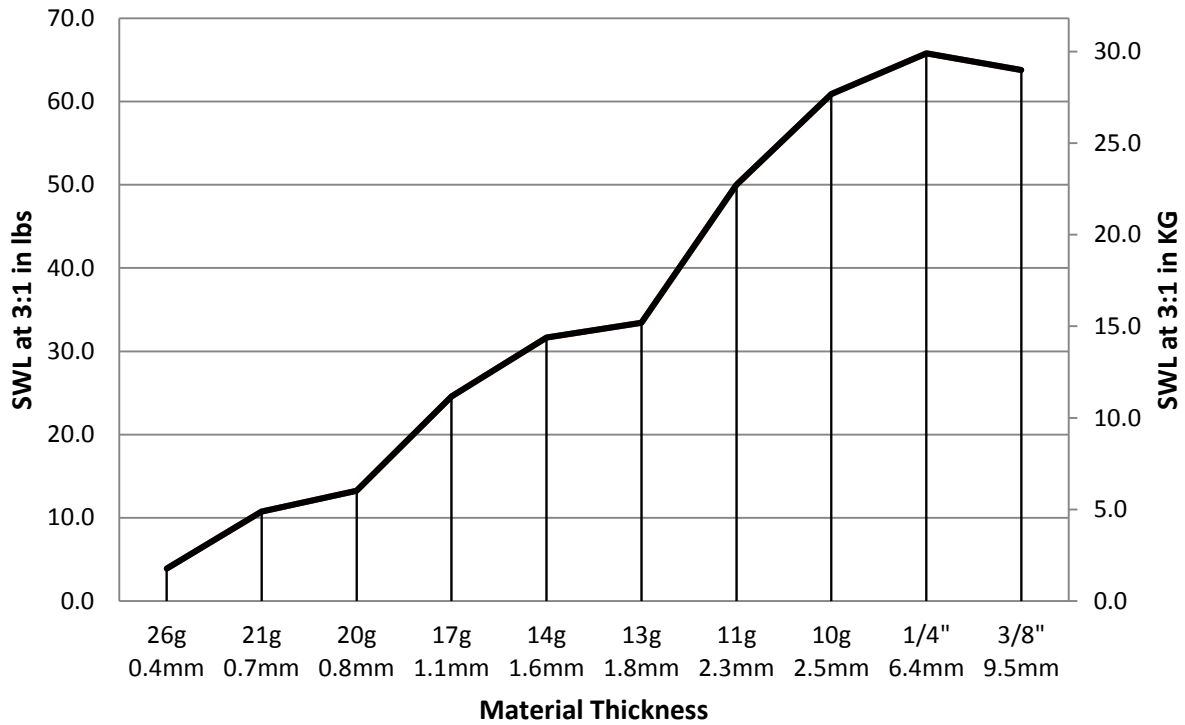


SPECIFICATIONS	
P/N: 8100385 - MAGSWITCH Hand Lifter - 60 CE	
Max Breakaway*	197 lbs/89.4 kg
Safe Working Load*	66 lbs/30 kg
Full Saturation Thickness	1/4" / 6.35 mm
Max Safe Shear*	45 lbs/20.4 kg
Minimum Thickness for De-Stack	1/4" / 6.35 mm
Net Weight	1.1 kg
Overall Height	209.3 mm
Magnetic Pole Footprint	56 x 42 mm
Holster Available	

* Max Breakaway determined in laboratory environment on 2" thick SAE1018 Steel with surface roughness 63 micro inches. Many factors contribute to the actual breakaway force in each application. Always test the magswitch in each application before deployment. Refer to the magswitch information booklet for more information.

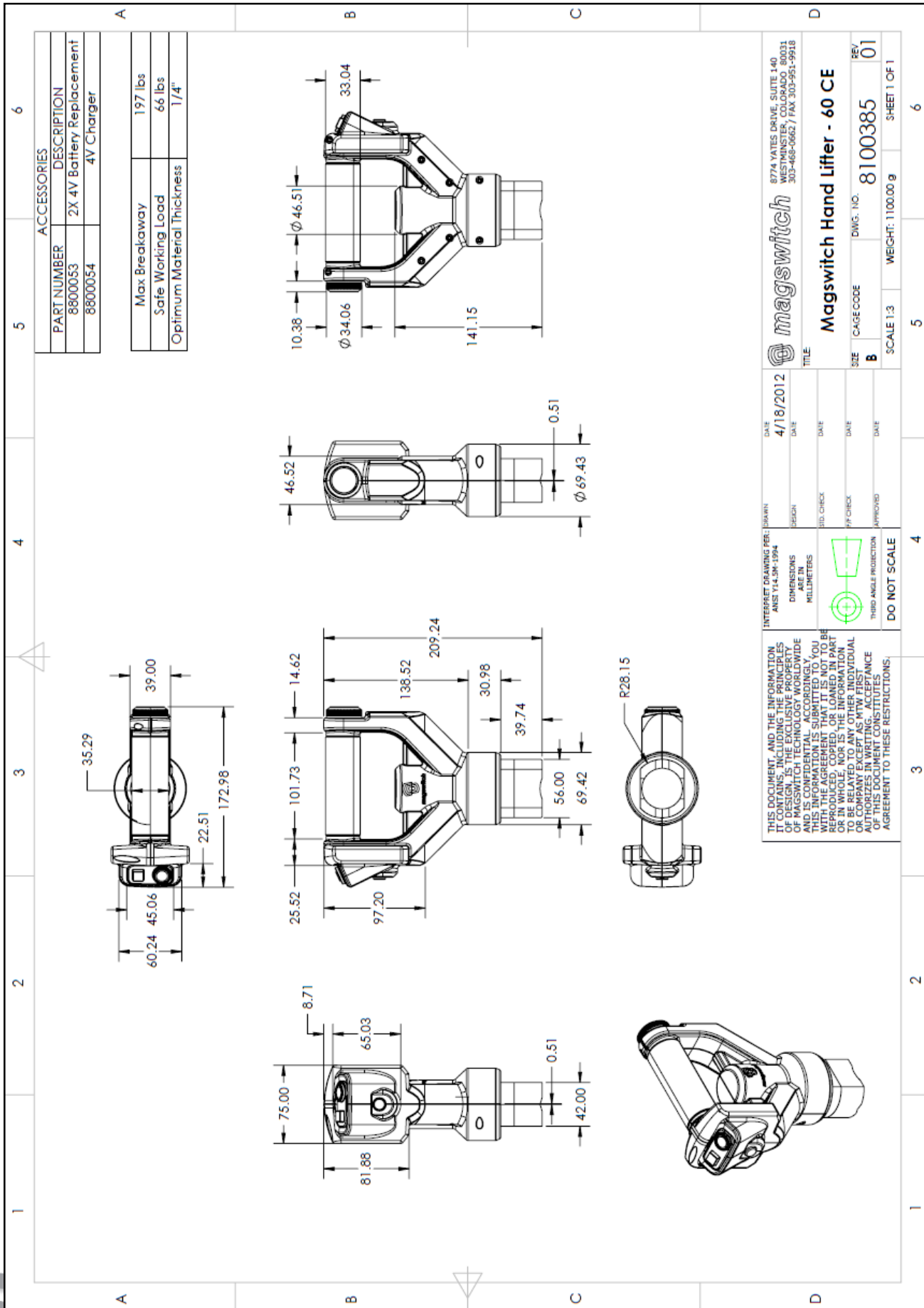


Magswitch Hand Lifter - 60 CE Safe Working Load



Part Number 110673
Revision Date: Jan 19, 2016

* Max Breakaway determined in laboratory environment on 2" thick SAE1018 Steel with surface roughness 63 micro inches. Many factors contribute to the actual breakaway force in each application. Always test the magswitch in each application before deployment. Refer to the magswitch information booklet for more information.



ACCESSORIES	
PART NUMBER	DESCRIPTION
8800053	2X 4V Battery Replacement
8800054	4V Charger

Max Breakaway	197 lbs
Safe Working Load	66 lbs
Optimum Material Thickness	1/4"

magswitch		877A VATES DRIVE, SUITE 400 WESTMINSTER, COLORADO, 80031 303-468-0662 / FAX 303-951-9918	
TITLE			
Magswitch Hand Lifter - 60 CE			
SIZE	CAGE CODE	DWG. NO.	REV.
B		8100385	01
SCALE: 1:3			WEIGHT: 1100.00 g
SHEET 1 OF 1			6

INTERPRET DRAWING PER: ANSISTYLE 14.3M-1994
 DIMENSIONS ARE IN MILLIMETERS
 THIRD ANGLE PROJECTION
 DO NOT SCALE

THIS DOCUMENT, AND THE INFORMATION IT CONTAINS, INCLUDING THE PRINCIPLES OF DESIGN, IS THE EXCLUSIVE PROPERTY OF MAGSWITCH TECHNOLOGY WORLDWIDE AND IS NOT TO BE REPRODUCED, COPIED, OR LOANED IN PART OR IN FULL, IN ANY MANNER, WITHOUT THE WRITTEN PERMISSION OF MAGSWITCH TECHNOLOGY WORLDWIDE. THIS INFORMATION IS SUBMITTED TO YOU WITH THE AGREEMENT THAT IT IS NOT TO BE REPRODUCED, COPIED, OR LOANED IN PART OR IN FULL, IN ANY MANNER, WITHOUT THE WRITTEN PERMISSION OF MAGSWITCH TECHNOLOGY WORLDWIDE. THIS DOCUMENT CONSTITUTES AN AGREEMENT TO THESE RESTRICTIONS.

Part Number 110673
 Revision Date: Jan 19, 2016