

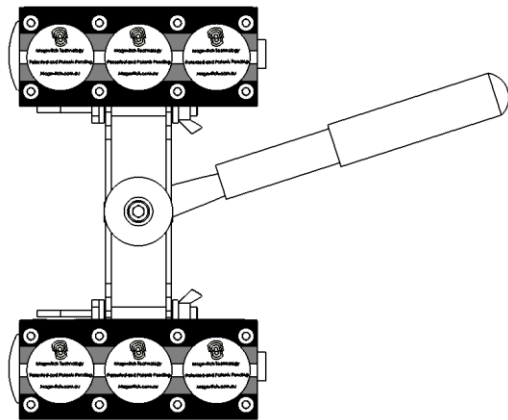


Magswitch Technology, Inc.
 1355 Horizon Ave.
 Lafayette, CO 80026
 Magswitch.com.au
 303-468-0662

Magswitch 1.5 Ton Beam Jack

P/N: 81001245

The Magswitch 1.5 Ton Beam Jack is perfectly suited to pulling ferrous steel flat against stiffener beams, eliminating air gaps to allow for more efficient welding. This tool features two Magswitch MLAY 600x3 arrays capable of delivering a maximum breakaway force of 3304 lbs. This tool can reduce welding time considerably and minimize the need for extra welding jigs.



WARNING!
Do Not Operate Unless In
Contact With Ferrous Target

SPECIFICATIONS	
P/N: 81001245 - Magswitch 1.5 Ton Beam Jack	
Max Breakaway*	3304 lbs / 1498 kg
Full Saturation Thickness	0.5 in / 12.7 mm
Minimum Thickness for De-Stack	0.5 in / 12.7 mm
Net Weight (with magnets)	33.4 lbs/ 15.1 kg
Max Overall Height	20.7 in / 525.8 mm
Min Overall Height	14 in / 355.5 mm
Max Beam Height	22.9 in / 582.3 mm
Min Beam Height	3.8 in / 97.4mm
Magnetic Pole Footprint	(2x) 71.11 x 173.5 mm

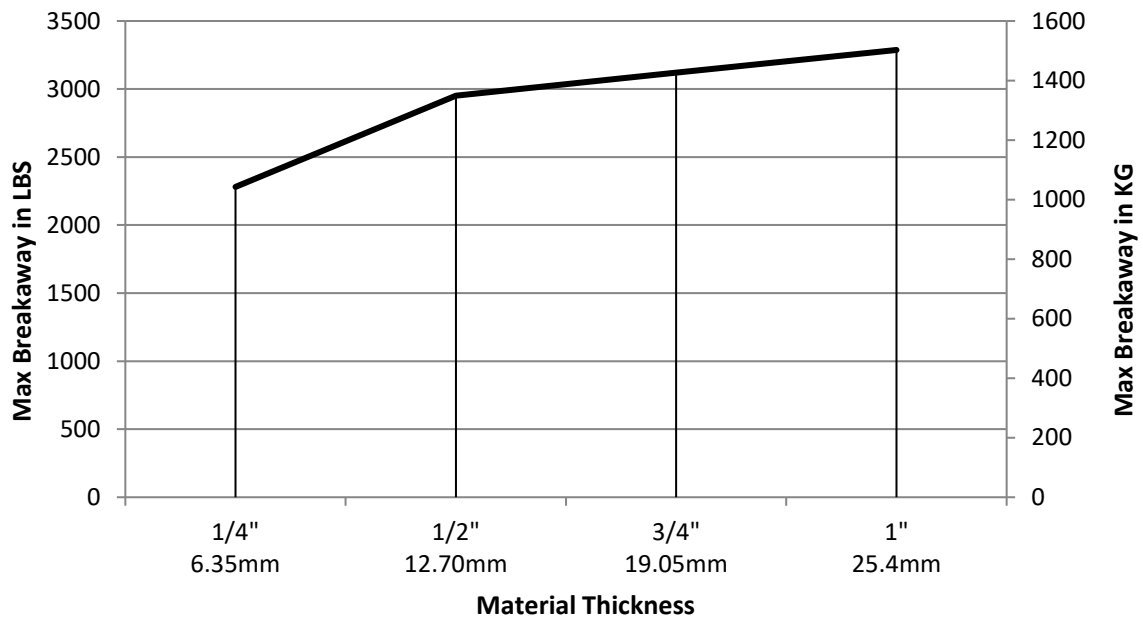
WORKING SURFACE
BLACK=BEST
GRAY=MODERATE



Part Number 1101326
 Revision Date: August 29, 2018

* Max Breakaway determined in laboratory environment on 2" thick SAE1018 Steel with surface roughness 63 micro inches. Many factors contribute to the actual breakaway force in each application. Always test the magswitch in each application before deployment. Refer to the magswitch information booklet for more information.

Magswitch 1.5T Beam Jack Max Breakaway



Part Number 1101326
Revision Date: August 29, 2018

* Max Breakaway determined in laboratory environment on 2" thick SAE1018 Steel with surface roughness 63 micro inches. Many factors contribute to the actual breakaway force in each application. Always test the magswitch in each application before deployment. Refer to the magswitch information booklet for more information.