



Magswitch Technology, Inc.  
 8774 Yates Dr. Suite 140  
 Westminster, CO 80031  
 Magswitch.com.au  
 303-468-0662

# Magswitch Beam Press

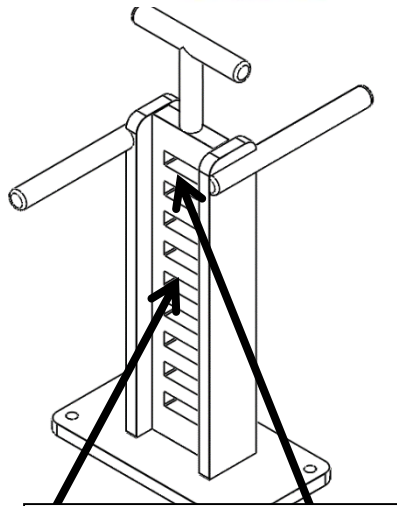
## P/N: 8100553

The Beam Press accessory is designed to fit any of the deep field 70mm Magswitch magnets. The tool can be mounted to the MLAY1000x4 and MLAY1000x6 to position a beam into place. By placing a pry bar in an accessible slot, and applying a load on the pry bar any beam can be lifted into place. The beam can then be tack welded into place.



**WARNING!**  
**Do Not Operate Unless In**  
**Contact With Ferrous Target**

SPECIFICATIONS	
<b>P/N: 8100553 - MAGSWITCH Beam Press</b>	
Max Breakaway*	Dependent on Heavy Lifter Magnet
Heavy Lifter Compatibility	MLAY1000x4, MLAY1000x6
Overall Height	45 mm



**WORKING SURFACE**



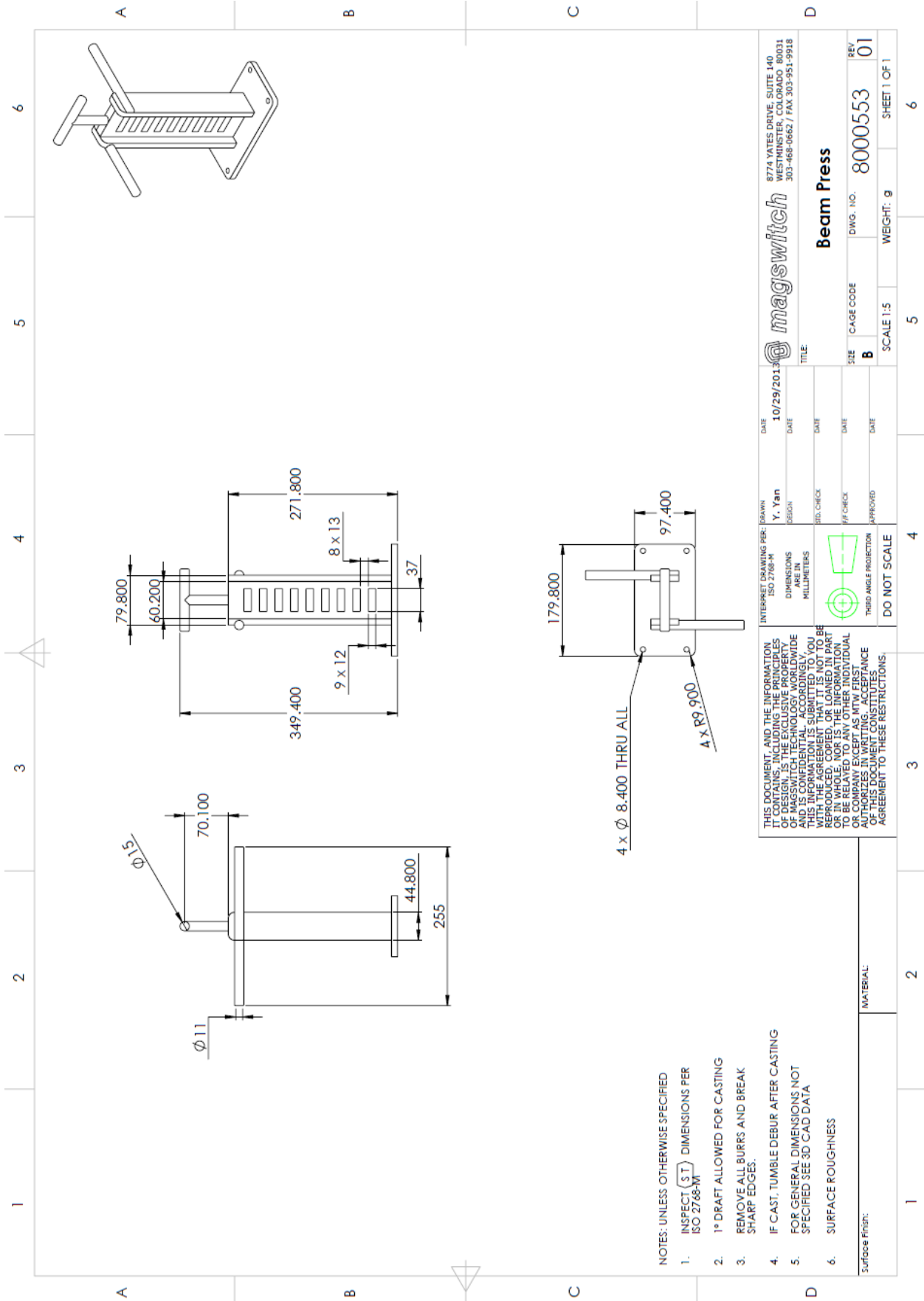
Part Number 110692  
 Revision Date: June 26, 2012

\* Max Breakaway determined in laboratory environment on 2" thick SAE1018 Steel with surface roughness 63 micro inches. Many factors contribute to the actual breakaway force in each application. Always test the magswitch in each application before deployment. Refer to the magswitch information booklet for more information.



Part Number 110692  
 Revision Date: June 26, 2012

\* Max Breakaway determined in laboratory environment on 2" thick SAE1018 Steel with surface roughness 63 micro inches. Many factors contribute to the actual breakaway force in each application. Always test the magswitch in each application before deployment. Refer to the magswitch information booklet for more information.



NOTES: UNLESS OTHERWISE SPECIFIED

1. INSPECT (ST) DIMENSIONS PER ISO 2768-M
2. 1° DRAFT ALLOWED FOR CASTING
3. REMOVE ALL BURRS AND BREAK SHARP EDGES.
4. IF CAST, TUMBLE DEBUR AFTER CASTING
5. FOR GENERAL DIMENSIONS NOT SPECIFIED SEE 3D CAD DATA
6. SURFACE ROUGHNESS

Surface Finish:

MATERIAL:

INTERPRET DRAWING PER: ISO 2146:94 DIMENSIONS IN MILLIMETERS THIRD ANGLE PROJECTION DO NOT SCALE		DATE: 10/29/2013 DRAWN: Y. Yan DESIGN: Y. Yan DIMENSIONS: MILLIMETERS THIRD ANGLE PROJECTION: YES DO NOT SCALE: YES	DATE: 10/29/2013 CHECKED: Y. Yan DATE: 10/29/2013 APPROVED: Y. Yan	DATE: 10/29/2013 DATE: 10/29/2013 DATE: 10/29/2013 DATE: 10/29/2013	magswitch <b>Beam Press</b>	8774 YATES DRIVE, SUITE 140 WESTMINSTER, COLORADO 80031 303-468-0662 / FAX 303-951-9918
THIS DOCUMENT, AND THE INFORMATION IT CONTAINS, INCLUDING THE PRINCIPLES OF MAGSWITCH TECHNOLOGY, WORLDWIDE AND IS CONFIDENTIAL. ACCORDINGLY, THIS INFORMATION IS SUBMITTED TO YOU ON A NON-REPRODUCTION BASIS. IT SHALL NOT BE REPRODUCED, COPIED, OR LOANED IN PART OR IN WHOLE, NOR IS THE INFORMATION TO BE RELAYED TO ANY OTHER INDIVIDUAL WITHOUT THE WRITTEN ACCEPTANCE OF THIS DOCUMENT'S ISSUING AUTHORITY. THIS DOCUMENT CONSTITUTES AN AGREEMENT TO THESE RESTRICTIONS.		TITLE: Beam Press SIZE: B CAGE CODE: 8000553 DWG. NO.: 8000553 REV: 01 SCALE: 1:5 WEIGHT: g SHEET 1 OF 1		1 2 3 4 5 6		1 2 3 4 5 6